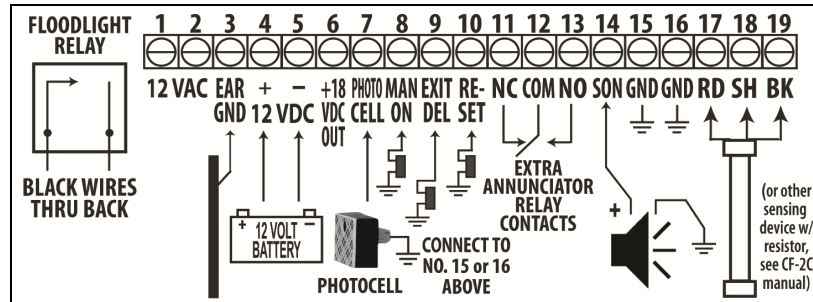


# FC-6 & FC-12 PHOTOCELL INSTALLATION

PHOTOCELLS CAN BE USED WITH CF-2C CONTROL UNIT ONLY



CF-2C Terminal Details

## INSTALLING FC-6 AND FC-12 PHOTOCELLS

The **FC-6** photocell is designed to be mounted on a window pane with its "eye" looking outside. Its distance from the control unit is not important. To insure good adhesion, clean the window area with alcohol. Peel off the double-sided tape cover paper and mount the photocell on the window. The hole on the sticky side of the photocell should be at the top, and the screw terminals situated so that the wires will be connected from the top.

The **FC-12** photocell is designed for mounting on the house outdoors, usually as a venue for the probe wire to be brought into the house. Its distance from the control unit is not important. Make sure no bushes, etc. obstruct light from being sensed by the photocell mounted in the LB box. Unscrewing the box will expose the terminals to which the indoor wire should be attached.

Using a 2-wire, shielded cable, connect the two primary wires to the screw terminal on the photocell. The shield drain wire does not connect to anything on the photocell. Cut it off there. At the CF-2C control unit, connect the shield drain wire to terminal No. 16, and the two primary

## ADJUSTING PHOTOCELL SENSITIVITY

Photocell sensitivity determines the level of outdoor light at which the floodlights are allowed to come on. The factory sets the floodlights to come on at dusk.

To set the photocell sensitivity, make all adjustments at the precise moment when the amount of daylight is visible at which time you want the floodlights to come on.

On the CF-2C control unit:

- Adjust potentiometer "D" counter clockwise in very small increments.
- Push the trip-test button after each adjustment.
- Stop adjusting at the point where the floodlight relay clicks on.

The floodlights will be allowed to turn on at that same daylight level from then on.