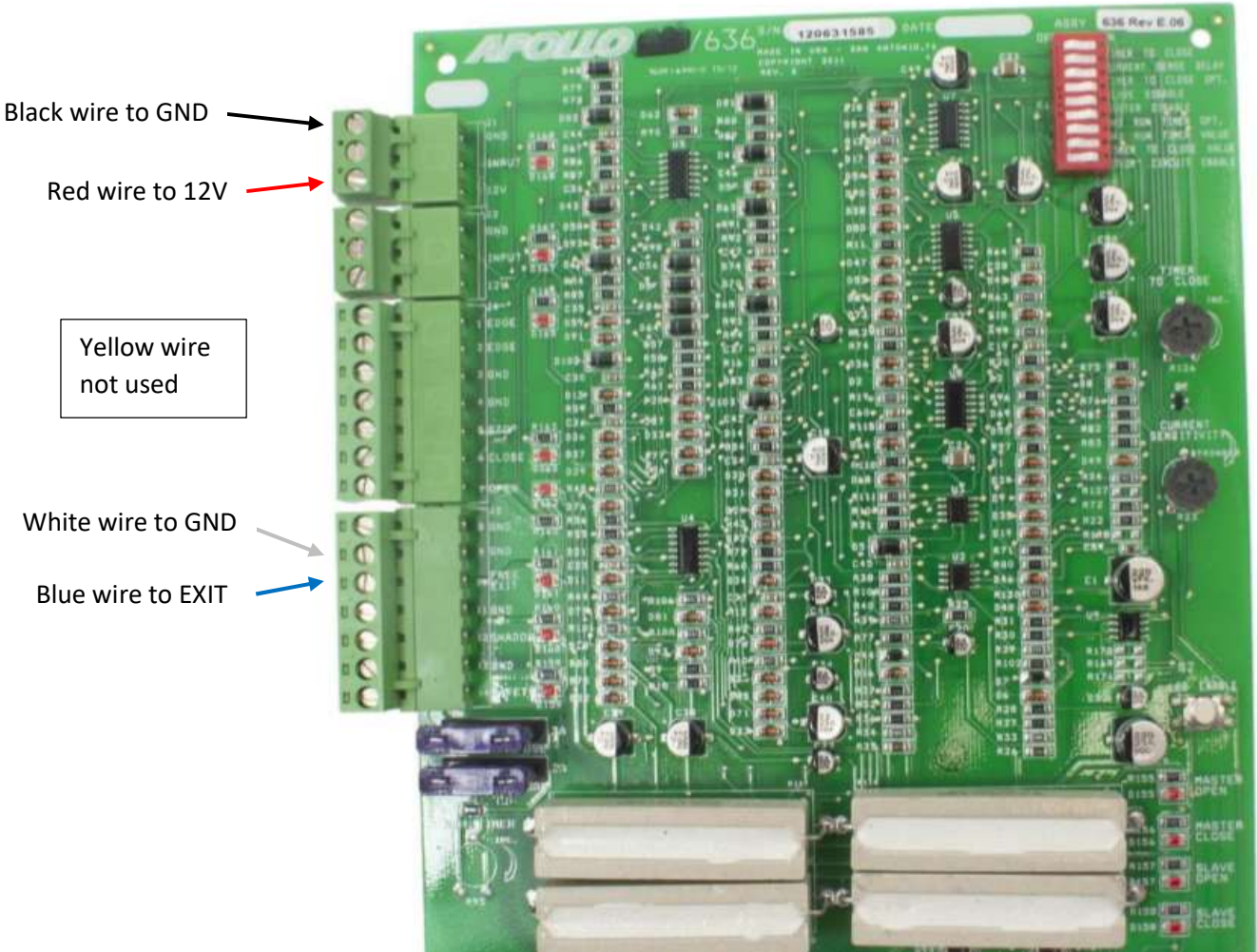


Apollo 635/636 Control Board Wiring for CP-4:



Black wire to GND

Red wire to 12V

Yellow wire not used

White wire to GND

Blue wire to EXIT