

# CT-2B and CW-SYS Wiring Diagram

The CW-SYS unit can be used to replace the CT-6 probe on a CT-2B system. Follow the instructions below to complete the installation.

Connect the wires to the following terminals:

## CT Board

Terminal 3 (VDC OUT)  
Terminal 8 (GRD)  
Terminal 10  
Terminal 12

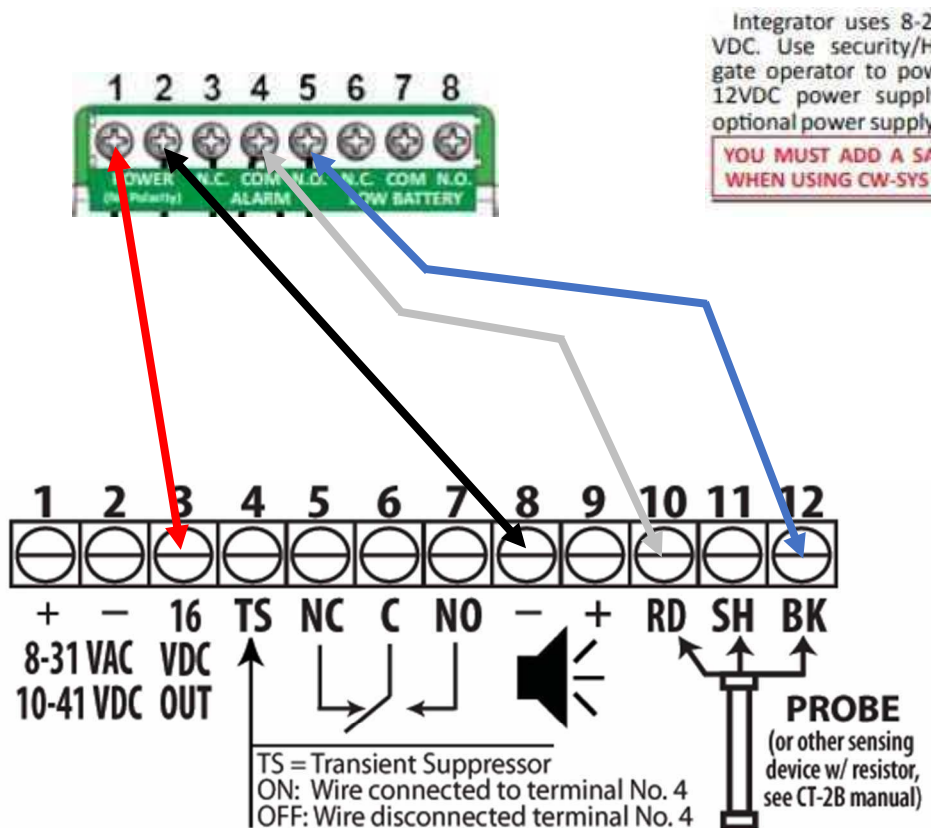
to  
to  
to  
to

## Integrator

Terminal 1 (Power Input)  
Terminal 2 (Power Input)  
Terminal 4 (COM)  
Terminal 5 (NO)

You may also choose to power the Integrator with a separate power supply within range: **8-24 VAC or 8-28 VDC**.

CW-SYS = Dual Purpose Wireless System  
CW-SEN = Wireless Sensor only  
CW-INT = Wireless Integrator only  
CW-REP = Wireless Repeater  
CW-PSU = Power Supply



**FIELD ADJUSTMENTS**  
"A" = RELAY TIME: ½ - 15 sec. (CW to increase)  
"B" = PROBE SENSITIVITY (CW to increase)

