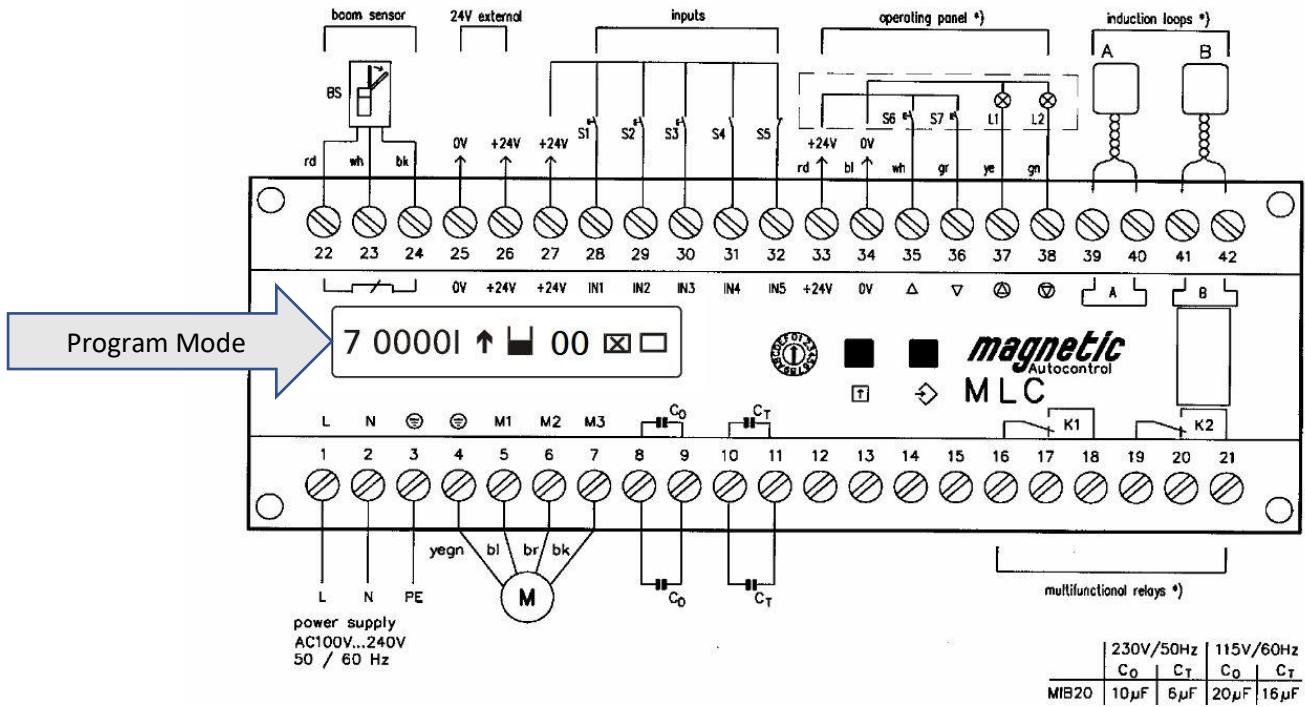


CP-4 to Magnetic Autocontrol MIB 20/30/40 Wiring Diagram



Terminal 25 (OV) Black Wire

Terminal 26 (+24) Red Wire

Terminal 27 Blue Wire

Terminal 28 White Wire

The Yellow wire is not used.

Be sure that Program Mode FIVE is selected on the board.