

## CW-SYS to FAAC 400

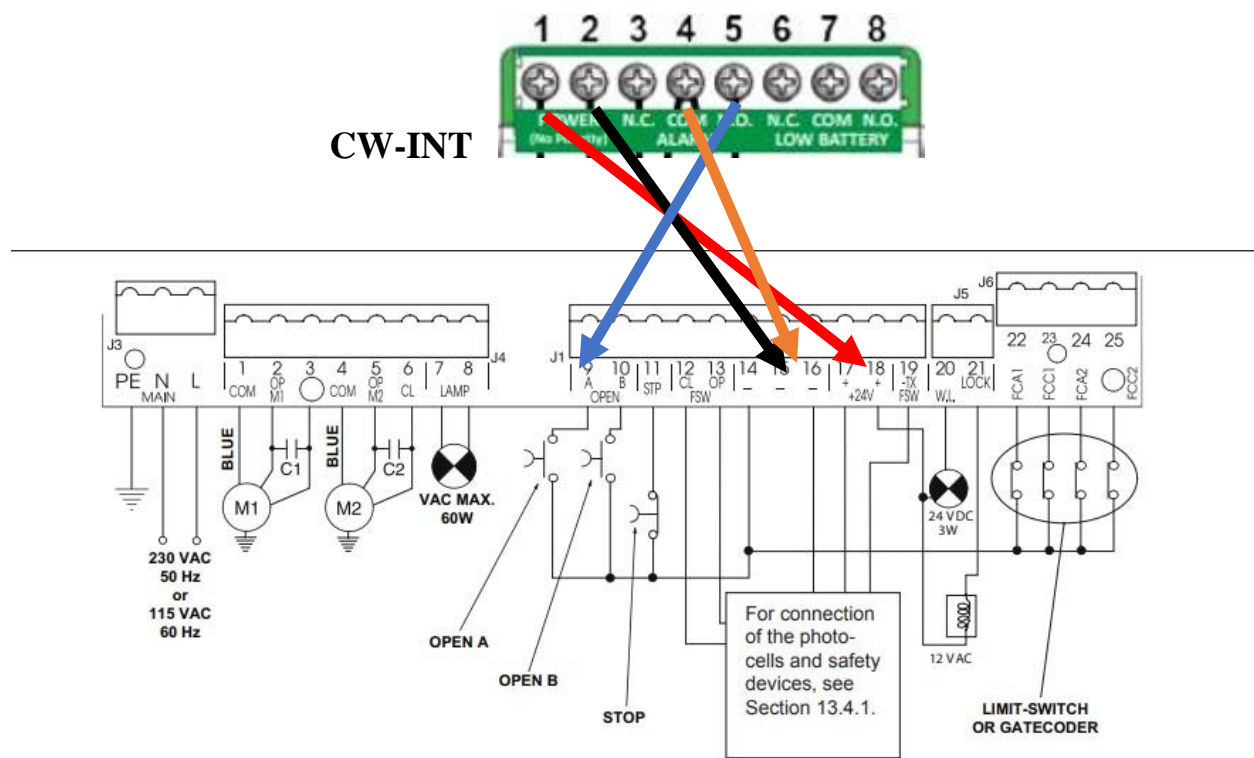
CW-INT Terminal 1 to Terminal 17 or 18 (+24)

CW-INT Terminal 2 to Terminal 16 (-). Note 14 or 15 will work as well.

CW-INT Terminal 5 to Terminal 9 Open A.

CW-INT Terminal 4 to Terminal 14 (-). Note 15 or 16 will work as well.

**\*NOTE\*** CW-INT Terminals 2 & 4 need to be on separate Terminals 14-16. Do not connect to the same terminal on FAAC.



CW-INT power input is 8-24 VAC or 8-28 VDC.