

AA-1 (ALARM ALERT) SOUNDER INSTALLATION

Both of the Cartell control units can operate up to twelve sounders (annunciators).

The annunciator plate mounts in a single-gang electrical box. Mount all plates flush in the wall.

All connections are made to a screw terminal on the back of the annunciator plate circuit board. Use CAT-5 wire. Solder-tin the ends of the wires before connecting to the control unit to avoid corrosion.

After you have run cable from the control unit (or security panel, etc.) to the annunciator(s), always connect the wire to the annunciator first and then to the control unit (or security panel, etc.).

NOTE: After connecting wires to the annunciator and before connecting to the control unit or security panel, measure the resistance between the wire you choose for the positive connection and the wire you choose for the negative connection. The resistance should never be less than 75 ohms total. Resistance less than 75 ohms shows damage to the wire between the control unit and annunciator (e.g., a staple through the wire) and will cause damage.

CONNECTING AA-1 TO A SECURITY PANEL

Connect wires to the AA-1 before connecting to the security (or other) panel. The AA-1 requires two wires for power positive and power negative. Connect power positive from security panel to the terminal marked SON on the AA-1. Connect power negative from the security panel to the terminal marked GND on the AA-1. Test resistance positive to negative as described above and finish by connecting wires to the security panel.

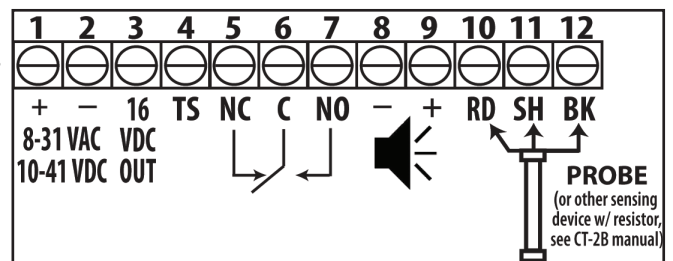
CONNECTING AA-1 TO CT-2B CONTROL UNIT

At the annunciator:

- Connect positive lead to the terminal marked SON.
- Connect negative lead to the terminal marked GND.

At the CT-2B control unit:

- At the control unit, test the resistance positive to negative as noted above before proceeding, then:
- Connect positive lead to terminal No. 9.
- Connect negative lead to terminal No. 8.



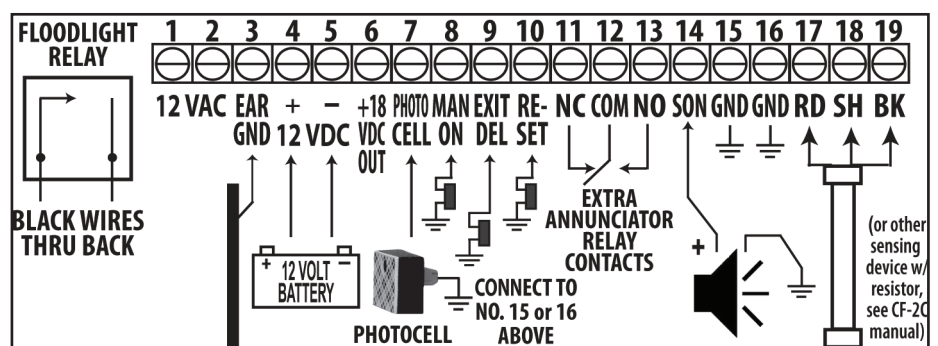
CONNECTING AA-1 TO CF-2C CONTROL UNIT

At the annunciator:

- Connect positive lead to the terminal marked SON.
- Connect negative lead to the terminal marked GND.

At the CF-2C control unit:

- At the control unit, test the resistance positive to negative as noted above before proceeding, then:
- Connect positive lead to terminal No. 14.
- Connect negative lead to terminal No. 15.



In the unlikely event of product or installation problems, call 717-532-0033 (option 1) for help.

510 West King Steet, Shippensburg, PA 17257 ♦ 717-532-0033 ♦ cartell.com

