

Wiring diagram for CW-SYS to GT Master Intelligent Control Board

Integrator (CW-INT) is connected to the control board via low voltage wires.

4.3.5.1 Intelligent control board

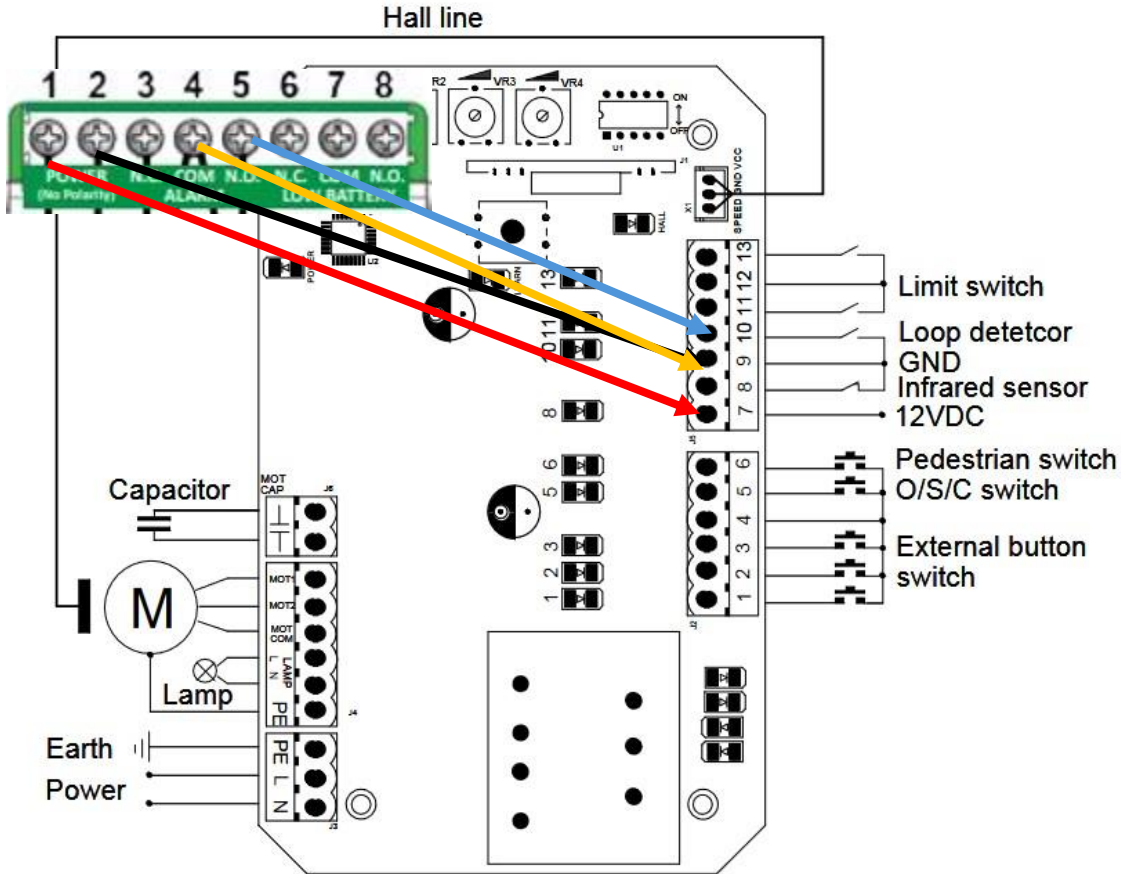


Figure 15

Wiring instruction:

Integrator Terminal

- #1 Power
- #2 Power
- #4 Relay Common (COM)
- #5 Normally Open (NO)

Operator Board

- # 7 +12V
- #9 Ground (GND)
- #9 Ground (GND)
- #10 Loop Detector (NO)